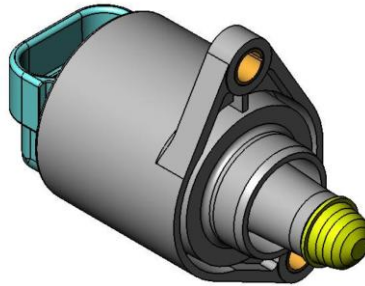


STEPPER MOTOR USER MANUAL



Positioning and orientation

The actuator axis is allowed to go from a horizontal position with a connector's position "low" to a vertical position but with the connector on a high position – as shown on figure 1.
(Angular position range of 180°).

Based on the application, the connecting part should look on the ground, in order to avoid water infiltration in the electrical connection.

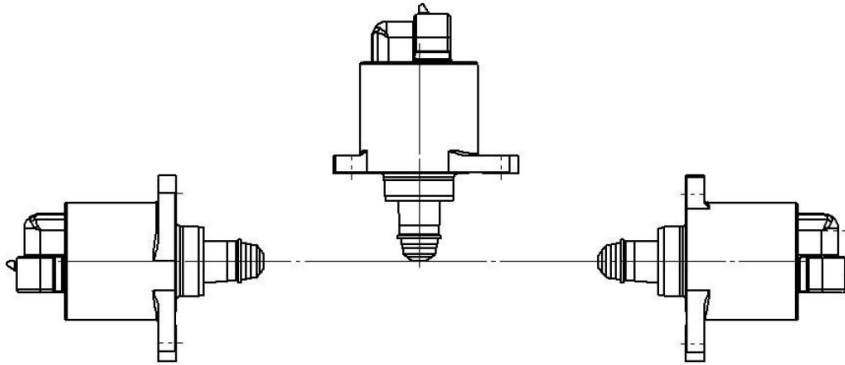
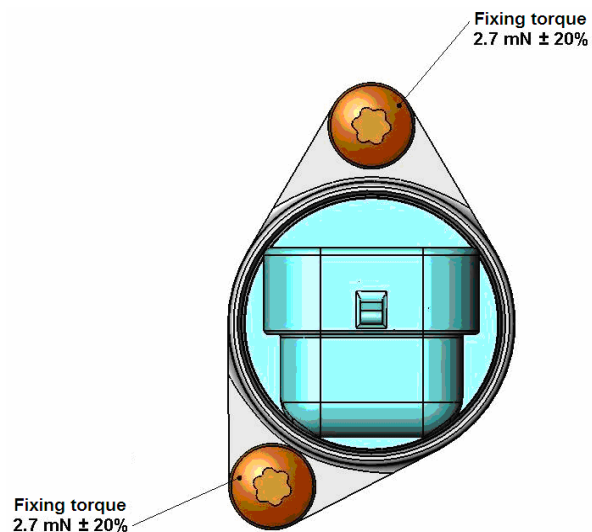


Fig. 1

Fixing instructions



Electrical instructions

Our digital linear actuator is based on a bipolar stepper motor. Therefore, you may use it on a chopper or RL driving mode. Please find hereunder the detail of the coils connection.

On figure 2, it's specified the electric diagram as well as the actuation table needed for a good displacement strategy.

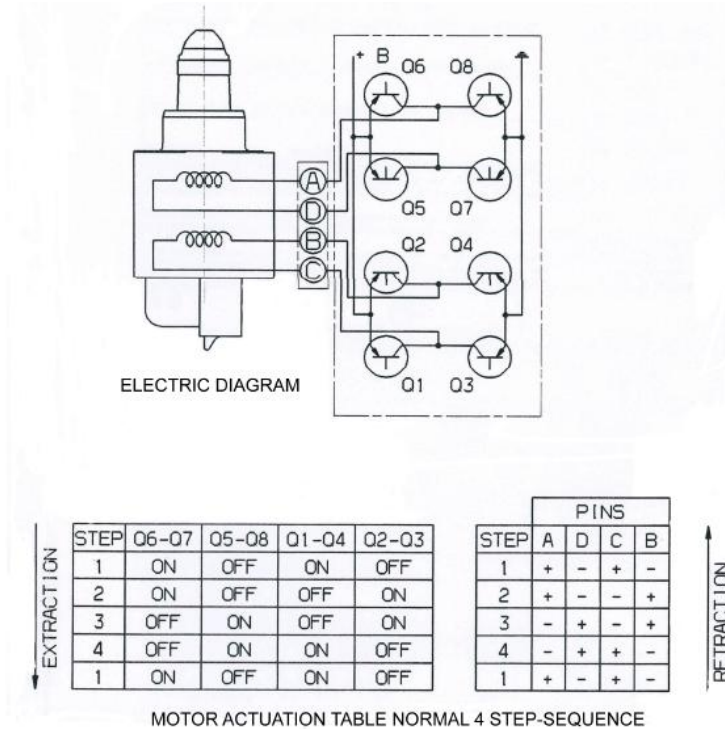
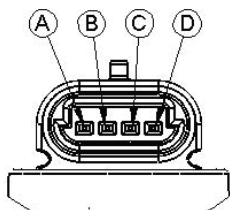


Fig. 2

The connector is based on an automobile standard and uses the DELPHI-PACKARD METRI PACK 150.2 specification, as shown on figure 3.



PACKARD ELECTRIC METRIPACK CONNECTOR
TO MATE WITH PACKARD ELECTRIC 12162191 CONNECTOR

Fig. 3

ITEM	VALUE
SINGLE COIL RESISTANCE	51Ω ±10% (at 25°C)
INDUCTANCY	38 mH±15% (at 25°C)
PHASE CURRENT	180 mA
PINS INSULATION RESISTANCE	>100 MΩ
PROTECTION GRADE	IP65
WORKING VOLTAGE	5-12 V (14.5 max during 2 min.)
WORKING TEMPERATURE	-40 °C/+130°C (150°C max during 2 min.)
STEP INCREASE	0.042 mm

